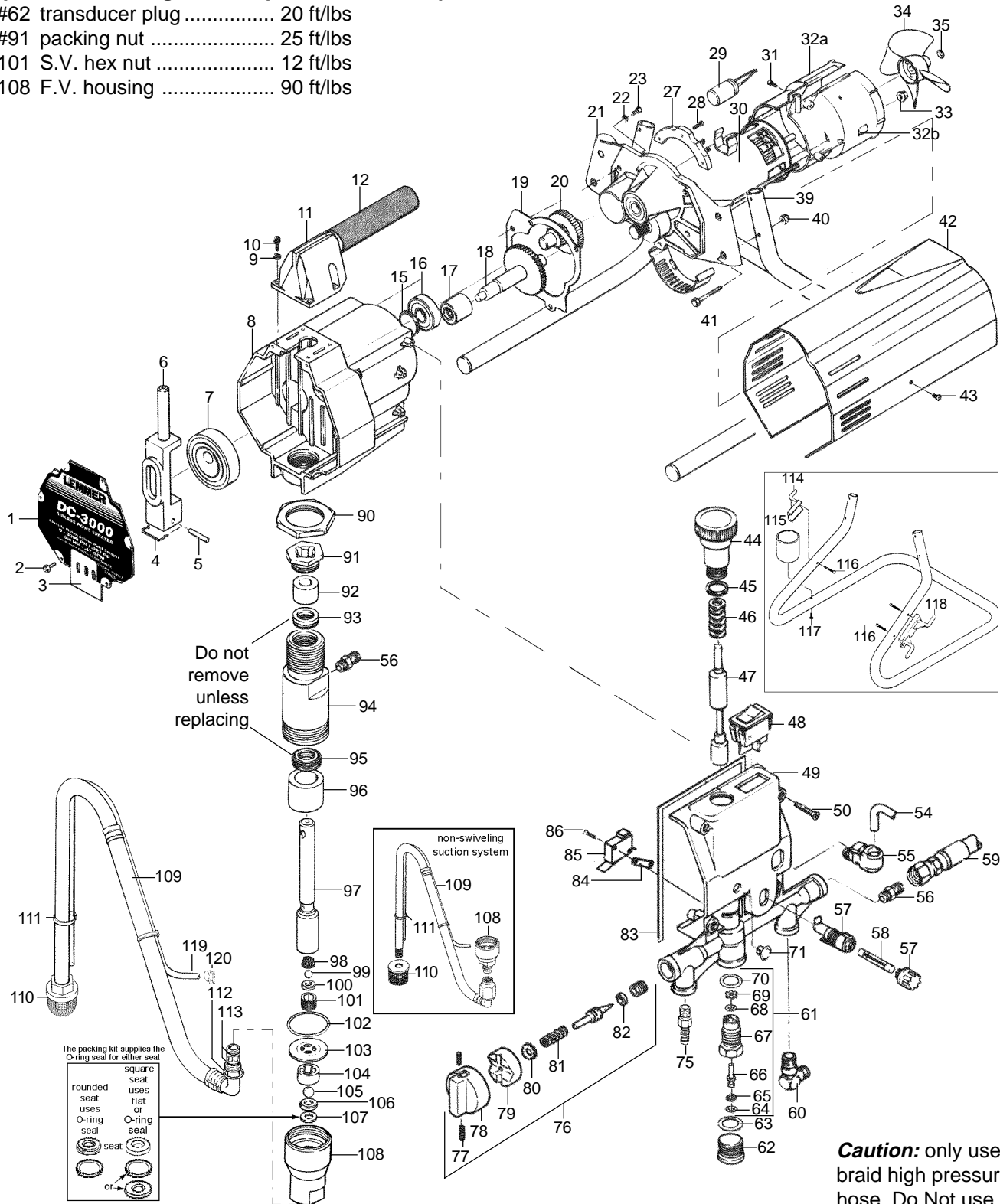


PARTS DIAGRAM

DC-3000

Important, following items require accurate torques:

- #62 transducer plug 20 ft/lbs
- #91 packing nut 25 ft/lbs
- #101 S.V. hex nut 12 ft/lbs
- #108 F.V. housing 90 ft/lbs



Caution: only use fibre braid high pressure airless hose. Do Not use steel braid hose!

Caution: Do Not use high pressure water spray against the electric control box.

DC-3000

Pos.	Part nos.	Description	Qty.	Pos.	Part nos.	Description	Qty.
	L045-001	DC-3000 airless piston pump on stand					
1	L045-501	Decal, DC-3000 front cover	1	63	L045-546	NLA, order #62 - L045-545	1
2	L045-500	Torx screw	6	64	L045-547	O-ring, viton (standard)	1
3	L045-502	Front cover plate	1	65	L045-549	Backup ring	1
4	L045-503	Retaining clip	1	66	L045-550	Transducer piston	1
5	L045-504	Pin	1	67	L045-551	Transducer body	1
6	L045-505	Yoke	1	68	L045-552	O-ring	1
7	L045-506	Eccentric bearing	1	69	L045-553	Retainer ring	1
8	L045-507	Main housing	1	70	L045-554	O-ring	1
9	L045-508	Lock washer	4	71	L045-555	Plug	1
10	L045-509	Screw	4	75	L035-715	Barb, 1/4m x 1/4barb	1
11	L045-510	Handle with grip	1	76	L045-511	Prime/spray valve	1
12		Handle grip (comes with #11)	1	77	L004-578	Set screw	2
15	L045-512	Washer	1	78	L004-577	Knob	1
16	L045-513	Ball bearing	3	79	L004-509	Cam	1
17	L045-514	Roller bearing	1	80	L004-510	Lock washer	1
18	L045-515	Output gear	1	81	L004-511	Spring	1
19	L045-516	Gasket	1	82	L004-512	O-ring (standard)	1
20	L045-517	First stage gear	1		L004-571	O-ring (lacquer)	opt
21	L045-518	Rear housing (comes with motor #30)	1	83	L045-556	Gasket	1
22	L045-519	Washer	3	84	L045-557	Spacer	1
23	L045-520	Screw	3	85	L045-558	Micro switch	1
27	L045-521	Relay, 120 volt (comes with motor #30)	1	86	L045-559	Screw	2
28	L045-522	Screw	1	90	L060-509	Locknut	1
29	L045-523	Capacitor	1	91	L045-560	Packing nut	1
30	L045-524	Motor, 3/4 hp dc	1	•92	L045-561	Upper packing spacer, SPL	1
31	L045-525	Screw	2	•93	L045-562	Upper packing, SPL	1
32a	L045-526	Fan shroud (comes with motor #30)	2	94	L045-563	Cylinder	1
32b	L045-582	Motor brushes (each)	1	•95	L045-564	Lower packing, SPL	1
	L045-649	Motor brush (pair)	1	•96	L045-565	Lower packing spacer, SPL	1
33	L045-527	Jam nut	2	97	L045-566	Piston	1
34	L045-528	Motor fan round bore (comes w/motor #30)	1	•98	L045-567	S.V. ball guide	1
	L045-754	Motor fan half moon bore (comes w/motor #30)	1	•99	L060-519	S.V. ball 5/16"	1
35	L045-529	Push nut for round bore fan (w/motor #30)	1	100	L060-520	S.V. seat	1
	L045-639	Washer for half moon bore fan (w/motor #30)	1	101	L060-522	S.V. hex nut	1
	L045-755	Screw for half moon bore fan (w/motor #30)	1	•102	L060-525	O-ring	1
39	L045-530	Stand	1	103	L045-568	F.V. ball stop	1
40	L002-815	Lock nut	4	104	L045-569	F.V. ball guide	1
41	L045-531	Bolt	4	•105	L050-569	F.V. ball 7/16"	1
42	L045-532	Motor shroud, bare	1	106	L045-571	F.V. seat	1
	L045-577	Warning decal right side	1	•107	L045-572	Seat seal (o-ring)	1
	L045-578	Warning decal left side	1		L056-599	Seat seal (old style flat washer)	
43	L045-533	Screw	3	108	L045-586	F.V. housing - for swivel suction	1
44	L045-534	Pressure control knob	1		L045-573	F.V. housing - for screw on suction	1
45	L045-535	Retaining ring	1	109	L045-583	Suction system - new swivel type	1
46	L045-536	Spring	1		L045-574	Suction system - standard screw on	1
47	L045-537	Plunger	1	110	L045-579	Inlet screen, 16 mesh	1
48	L045-538	Switch	1		L045-593	Inlet screen, 12 mesh	opt
49	L045-539	Control housing	1	111	L045-581	Return clip, formed plastic	1
50	L045-540	Screw	4	112	L045-592	Snap ring - new swivel hand remove	1
54	L045-541	Electric cord	1		L045-585	Snap ring - for swivel suction	1
55	L045-542	Strain relief, 90°	1	113	L045-584	O-ring - for swivel suction	2
56	L036-001	Connector, 1/4"m	2	114	L045-587	Stand hook	1
57	L045-543	Fuse holder	1	115	L045-588	Drip cup	1
58	L045-544	Fuse, 10 amp	1	116	L045-590	Screw	3
59	L050-617	18" connection hose	1	117	L045-591	Screw	1
60	L036-091	Elbow, 1/4"m	1	118	L045-589	Cord wrap	1
61	L045-576	Transducer ass'y	1	119	L035-313	Return hose only - 1/4 ID tubing	3.5
62	L045-545	Plug with seal	1	120	L045-756	Hose clamp, clutch type	1

Pump packing kit:

•121 L045-580 Packing kit (items marked "•")

Accessories:

L034-125 Packing lubricating oil, squeeze bottle
L050-621 Owner's manual