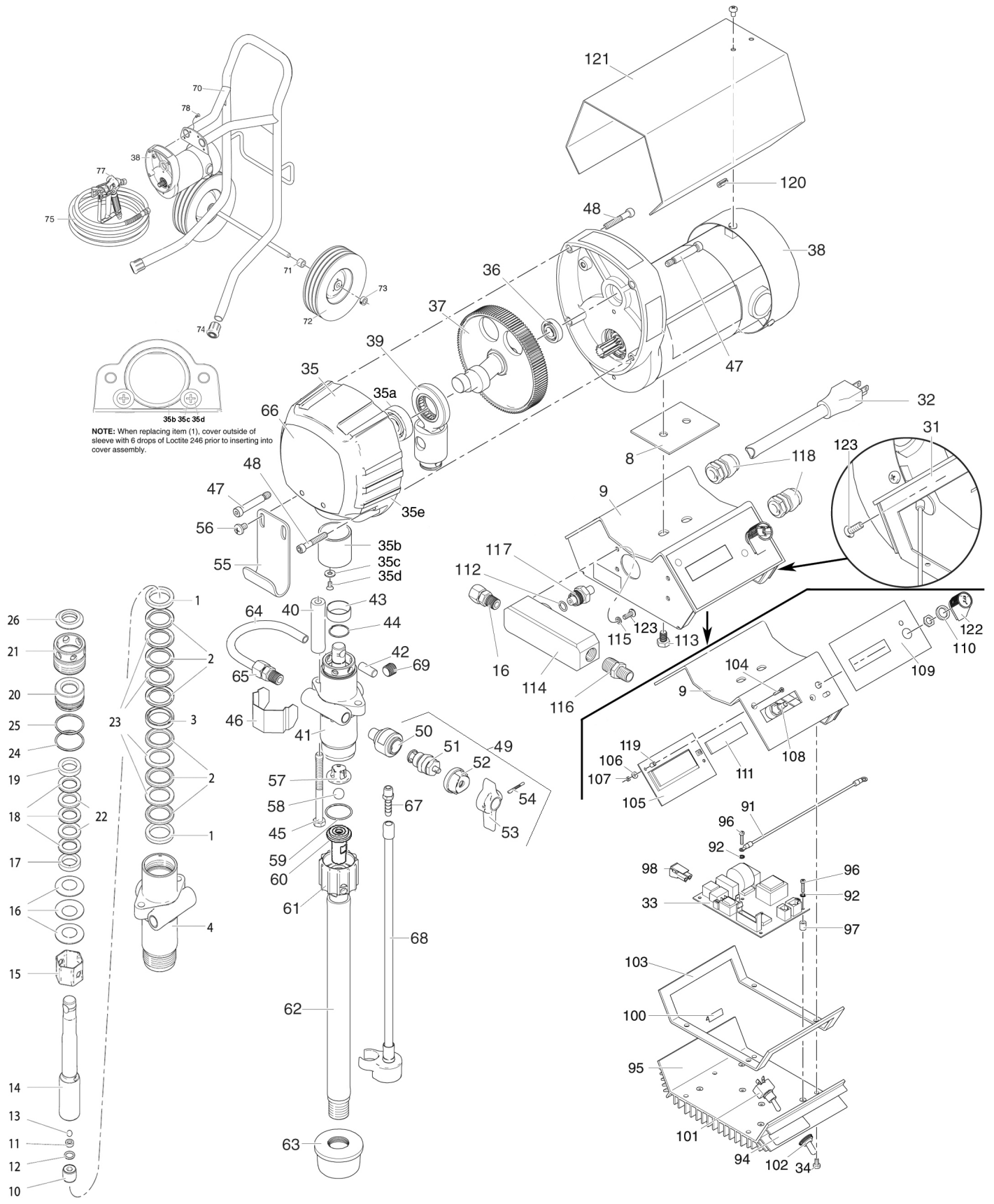


PARTS LIST & DIAGRAM

DC-5500



NOTE: When replacing item (1), cover outside of sleeve with 6 drops of Loctite 246 prior to inserting into cover assembly.

DC-5500

| Pos. | Part nos. | Description | Qty. |
|---|-----------|---|------|
| L045-012 DC-5500 airless piston pump on cart | | | |
| 1 | 331-014* | Male Gland | 2 |
| 2 | 331-016* | Packing Polyethylene | 3 |
| 3 | 331-308* | Female Adaptor | 1 |
| 4 | 331-011 | Paint Pump Body | 1 |
| 8 | 867243 | Gasket | 1 |
| 9 | 867800 | Terminal box | 1 |
| 10 | L045-119 | Piston Seat Retainer | 1 |
| 11 | L045-117 | Piston Seat | 1 |
| 12 | L045-118 | O-Ring, piston seat | 1 |
| 13 | L011-197 | Piston Ball | 1 |
| 14 | L045-115 | Piston with valve | 1 |
| 15 | 331-018* | Spacer | 1 |
| 16 | 331-025* | Belleville Springs | 3 |
| 17 | 331-022* | Male Gland | 1 |
| 18 | 331-023* | Packing Polyethylene | 3 |
| 19 | 331-021* | Female Gland | 1 |
| 20 | 331-019 | Packing Holder | 1 |
| 21 | 331-037 | Packing Nut | 1 |
| 22 | 331-307* | Packing Leather | 2 |
| 23 | 331-306* | Packnig Leather | 4 |
| 24 | 106-009* | White O-Ring | 1 |
| 25 | 106-010* | Black O-Ring | 1 |
| 26 | 180656 | Plug, button | 1 |
| 31 | 116969 | Lock nut | 1 |
| 32 | 331163 | Power cord | 1 |
| 33 | 867822 | Control board, incl following: (33+92+95+96+97+98+101+102+103+104+106+107+111) | 1 |
| 33 | 867965 | Control board only | 1 |
| 34 | 331342 | Panhead screw | 9 |
| 35 | 866477 | Cover assy (Includes 35a, 35b, 35c) | 1 |
| 35a | 331046 | Bearing | 1 |
| 35b | 331061 | Sleeve bearing | 1 |
| 35c | 331103 | Washer | 2 |
| 35d | 331197 | Screw | 2 |
| 35e | 331234 | Cover, bare | 1 |
| 36 | 331047 | Ball bearing | 1 |
| 37 | 331407 | Gear, crank | 1 |
| 38 | 331490 | Motor, 0.5HP, 110V | 1 |
| | 331785 | Fan | 1 |
| | 331786 | Fan cover | 1 |
| | 331787 | Bolt | 1 |
| 39 | 331-038 | Connecting Rod | 1 |
| 40 | 331-074 | Tube Spacers 2.691" | 2 |
| 41 | L045-130 | Paint pump section complete | 1 |
| 42 | 866082 | Connecting Rod Pin .375" | 1 |
| 43 | 331-117 | Sleeve | 1 |
| 44 | 331-062 | Retaining spring | 1 |
| 45 | 867539 | Bolts ,5/16-18 X3.75 HX | 2 |
| 46 | 331-111 | Cover | 1 |
| 47 | 866338 | Screw, shoulder | 2 |
| 48 | 107445 | Screw, cap | 2 |
| 49 | L045-125 | Prime valve (50-54) | 1 |
| 50 | 865013 | Valve adaper | 1 |
| 51 | 239913 | Valve drain | 1 |
| 52 | 867102 | Cam | 1 |
| 53 | 867263 | Handle | 1 |
| 54 | 867404 | Grooved pin | 1 |
| 55 | 331336 | Pail hook | 1 |
| 56 | 113783 | Panhead screw | 2 |
| 57 | L045-121 | Ball guide, electric | 1 |
| 58 | L045-658 | Ball, Inlet | 1 |
| 59 | L045-122 | O-Ring | 1 |
| 60 | L045-134 | Inlet valve seat | 1 |
| 61 | L045-124 | Suction Nut | 1 |
| 62 | 331400 | Suction tube | 1 |
| 63 | L060-581 | Suction filter | 1 |
| 64 | 331364 | Tube assy, 3-1/4" | 1 |

| Pos. | Part nos. | Description | Qty. |
|------|-----------|------------------------------|------|
| 65 | NPN | Tube connector | 1 |
| 66 | L045- | DC-5500 decal | 1 |
| 67 | NPN | Return fitting | 1 |
| 68 | 301348 | Return hose | 1 |
| 69 | L036-071 | Plug, 1/4" M | 1 |
| 70 | 331273 | Cart frame | 1 |
| 71 | 866356 | Spacer .75 LG PVC | 2 |
| 72 | 867736 | Wheel,10" X 3.5" | 2 |
| 73 | 143029 | Collar set screw | 2 |
| 74 | 331048 | Rubber foot | 2 |
| 75 | HOSE | HP hose, 1/4" X 50' HSE1450 | 1 |
| 77 | 289316 | 2 Finger L60 DC-5500 500 gun | 1 |
| | 120-554 | 2 Finger L60 LP-5500 008 gun | 1 |
| 78 | 16F551 | Bolt | 4 |
| 91 | 866049 | Cable assy, 9" | 1 |
| 92 | 100272 | Lock washer | 6 |
| 94 | 342513 | Label, on/off | 1 |
| 95 | Use #33 | Heat sink | 1 |
| 96 | Use #33 | Panhead screw | 6 |
| 97 | Use #33 | Spacer | 6 |
| 98 | Use #33 | Connector | 1 |
| 100 | 331296 | Splash guard | 2 |
| 101 | 301083 | Toggle switch | 1 |
| 102 | 301150 | Rubber boot | 1 |
| 103 | 867797 | Cover gasket | 1 |
| 104 | 867816 | Screw, phillips | 2 |
| 105 | Use #33 | LCD display | 1 |
| 106 | 867731 | Washer 1/8ID X 5/16" | 2 |
| 107 | 867817 | Hex nut | 2 |
| 108 | 256219 | Potentiometer assy | 1 |
| 109 | 867804 | Label | 1 |
| 110 | 15C973 | Gasket | 1 |
| 111 | 867798 | Display window | 1 |
| 112 | 111457 | O-ring | 1 |
| 113 | 15V909 | Screw, M8X12 | 2 |
| 114 | 867813 | Manifold | 1 |
| 115 | 100020 | Lock washer | 4 |
| 116 | 867309 | Fitting | 1 |
| 117 | 243222 | Transducer kit | 1 |
| 118 | 331185 | Valve, strain relief | 2 |
| 119 | 117281 | Spacer, #6 X .312 | 2 |
| 120 | 331178 | Trim edge | 2 |
| 121 | 331795 | Cover | 1 |
| 122 | 116167 | Knob | 1 |
| 123 | ? | Bolt | ? |

Pump packing kit:

L045-114 Packing Kit (items " • ")

Accessories:

0154744 Anti-Seize Lubricant