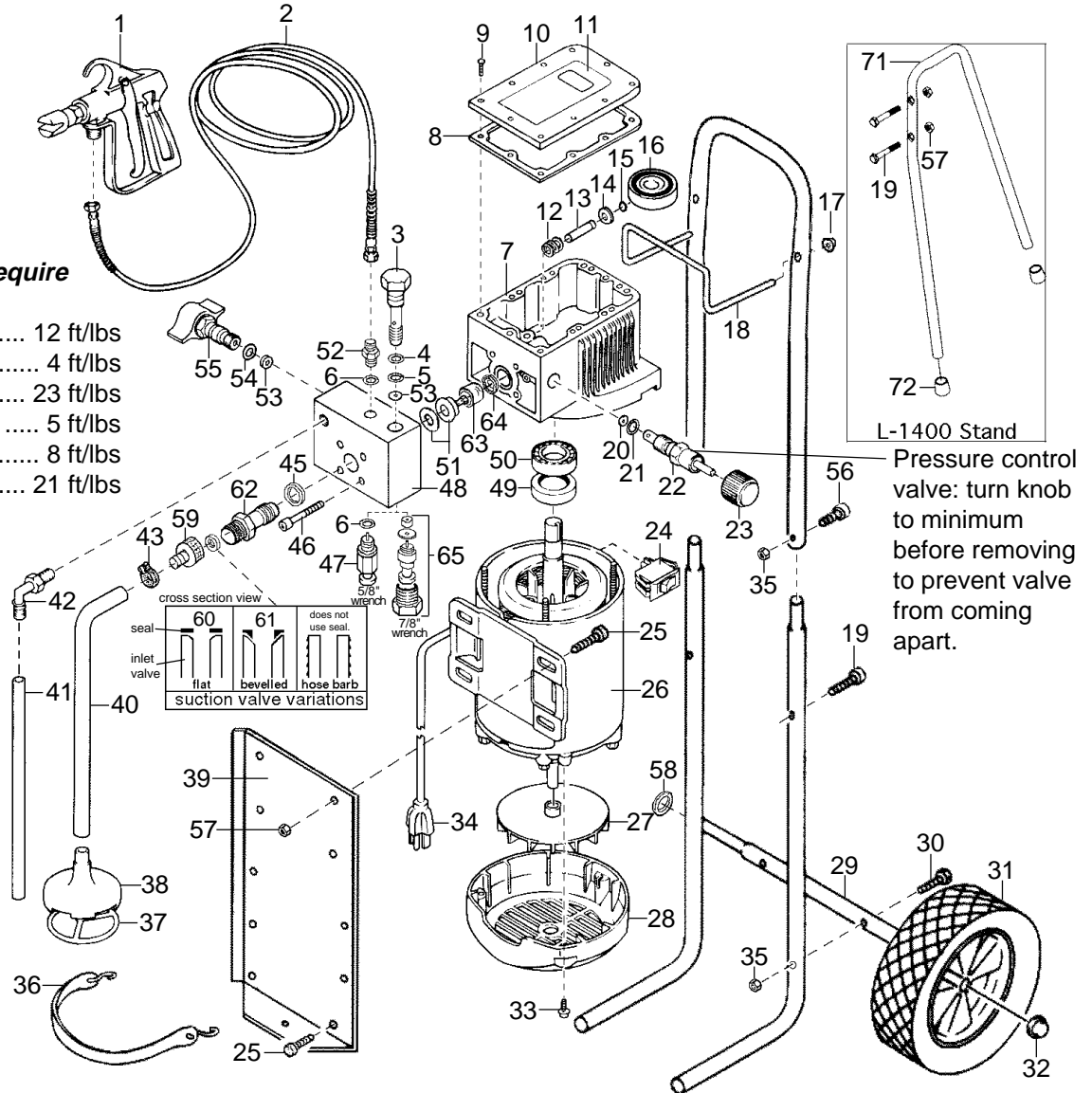


PARTS DIAGRAM

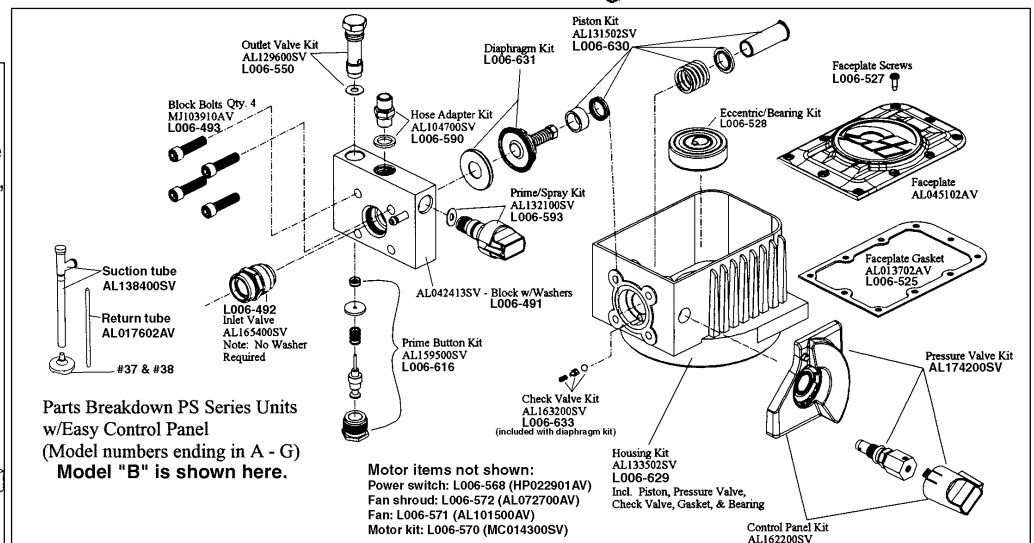
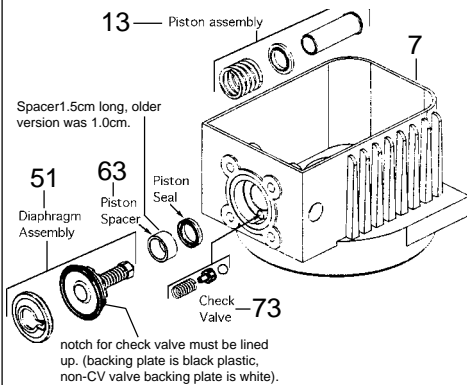
L-1400 / L-1500 * OBSOLETE *

Important, following items require accurate torques:

- #3 outlet valve 12 ft/lbs
- #22 pressure control valve 4 ft/lbs
- #46 block bolt 23 ft/lbs
- #47 outlet valve push button 5 ft/lbs
- #55 prime valve 8 ft/lbs
- #62 inlet valve 21 ft/lbs



S/N's ending in "CV" are the newer CV version with separate check valve (shown here). Other versions have the check valve built into the piston. The piston, diaphragm, spacer, and check valve are not interchangeable between the two versions.



MODEL NUMBER	MOTOR KIT	DIAPHRAGM KIT	ECCENTRIC/BEARING KIT	PRESSURE VALVE KIT
PS ###A	MC014304SV	AL125904SV	AL116203SV	AL174201SV
PS ###B	MC014300SV	AL125905SV	AL116200SV	AL174200SV
PS ###C	MC014301SV	AL125906SV	AL116201SV	AL174200SV
PS ###D	MC014303SV	AL173700SV	AL116204SV	AL131403SV
PS ###E	MC014401SV	AL125905SV	AL116200SV	AL174200SV
PS ###F (foreign)	MC014402SV	AL125906SV	AL116201SV	AL174200SV

Specifications subject to change.

L-1400 / L-1500 * OBSOLETE *

Pos.	Part nos.	Description	Qty.
	L006-005	L-1400 Airless spray system	
	L006-010	L-1500 Airless spray system	
1	L032-016	L-25 Airless gun (w/o Tip & filter)	1
2	L031-073	25' x 1/4" fibre hose	1
3	L006-550	Outlet valve ass'y (incl. pos. 4, 5, 53)	1
4	L006-551	Back-up ring	1
5	L006-539	O-ring	1
6	L006-599	Nylon seal	2
7	L006-629	Housing ass'y w/motor bolts, CV vers. (incl.pos.8,12,13,14,15,22,49,50,63,64) (this housing requires CV diaphragm #51)	1
	L006-554	Housing ass'y (super to L006-629)	
	L006-610	NLA housing ass'y without pos. 22	
8	L006-525	Cover gasket	1
9	L006-527	Screw	10
10	L006-526	Cover plate	1
11	L006-557	Decal, L-1500	1
12	L004-542	Piston spring	1
13	L006-559	Piston (Non-CV w/chk valve) (incl.#8,15)1	1
	L006-630	Piston ass'y,(CV ver),(incl.#8,12,15,63,64,73)	
14	L006-560	Spring retainer	1
15	L006-561	Retaining ring	1
16	L006-528	Bearing	1
17	L006-563	Nut	2
18	L006-564	Hose rack, snap type	1
	L006-611	Hose rack, flip type	1
19	L002-715	Hex bolt, 5/16x1-1/2nc	4
20	L006-517	Seat seal	1
21	L006-565	O-ring	1
22	L006-566	Pressure control valve (incl. pos.20,21,23)	1
23	L006-567	Knob, black plastic	1
	N/A	Knob, metal (not available)	
24	L006-568	Switch	1
25	L002-781	5/16" X 1" bolt	6
26	L006-570	Motor ass'y (L-1500)	1
	L006-625	Motor ass'y (L-1400)	1
	L006-608	Starting governor for motor	1
27	L006-571	Fan	1
28	L006-572	Fan cover	1
29	L006-573	Axle (incl. pos. 30 x 2)	1
30	L002-814	Bolt, 2" X 1/4"-20	2
31	L006-575	Wheel	2
32	L006-576	Wheel retainer cap	2
33	L006-577	Fan cover screw	4
34	L006-578	Power cord	1
35	L002-815	Nut, 1/4"nc	8
36	L006-579	Bucket strap	1
37	L006-504	Suction screen	1
	L006-603	Suction screen (pkg of 2)	opt.

Pos.	Part nos.	Description	Qty.
38	L006-581	Filter housing	1
39	L006-582	Front plate	1
40	L006-583	Suction hose	1
41	L006-505	Return hose	1
42	L006-515	Elbow, original (WSL use L035-773)	1
	L035-773	Elbow, brass (optional replacement)	
43	L035-221	Hose clamp, 1"	1
45	L006-547	Nylon seal	1
46	L006-511	Bolt, soc 5/16"nc	4
47	L006-509	Prime button (uses 5/8" wrench) (incl. pos. 6)	1
	L006-609	O-ring, lacquer (for prime button)	1
48	L006-490	Slim block upgrade kit consisting of: (incl. pos. 6,52,53x2,59,60,65,and;	1
	L006-491	Slim block w/washers & prime button	
	L006-492	Slim inlet valve	
	L006-493	Slim bolts	
49	L004-557	Seal	1
50	L004-556	Bearing	1
51	L006-521	Diaphragm, white BP	1
	L006-631	Diaphragm, black BP, (CV version)	1
52	L006-590	Hose fitting (incl. pos. 6)	1
53	L006-591	Washer	1
54	L006-592	O-ring	1
55	L006-593	Prime/spray valve (incl. pos. 53 & 54)	1
	L006-605	Plastic knob only (incl. with Prime/spray valve)	
	L006-606	Knob retainer (incl. with Prime/spray valve)	
56	L002-818	Hex bolt, 1" X 1/4"-20	2
57	L080-676	Nut, lock 5/16" nc	4
58	L006-596	Wheel washer, 5/8" id	2
59	L006-601	Swivel hose barb	1
60	L002-736	Seal	1
61	L006-607	Formed nylon seal	opt.
62	L006-602	Inlet valve (incl. pos. 45,59+60)	1
63	L006-613	Plastic spacer, 1.5 cm long (s/n 061095N & up)	1
	L006-632	Plastic spacer, 1.0 cm long, (CV vers.)	1
64	L006-614	Piston seal (new style,s/n 061095N & up)	1
65	L006-616	Prime button assembly, 7/8"	1
71	L006-622	Stand (L-1400)	2
72	L006-623	Plastic foot	4
73	L006-633	Check valve kit	1

Accessories:

n/s	L006-595	Manual (L-1400/L-1500)	1
-----	----------	------------------------	---